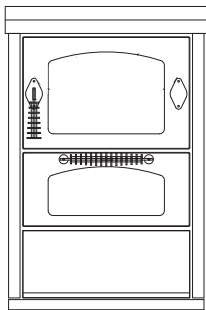
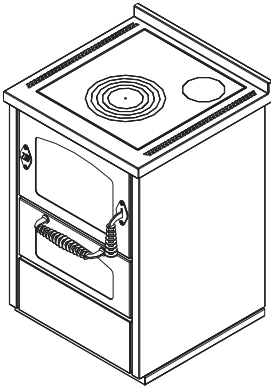


D6**WOOD-FIRED COOKERS "DOMINO"**

mm 600x600xh860

CE EN -12815 certification



Varnishing colors available:

White, Blue, Yellow, Black, Red, Ivory, Stainless steel

STANDARD EQUIPMENT

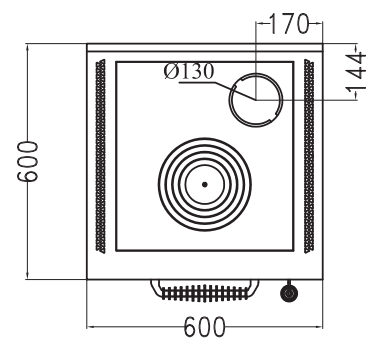
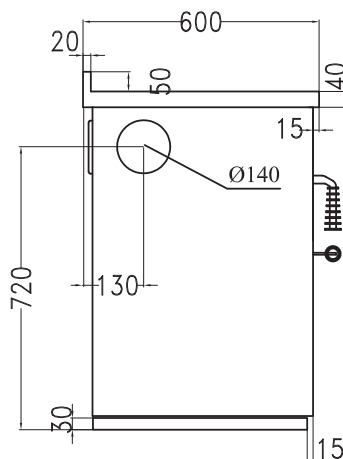
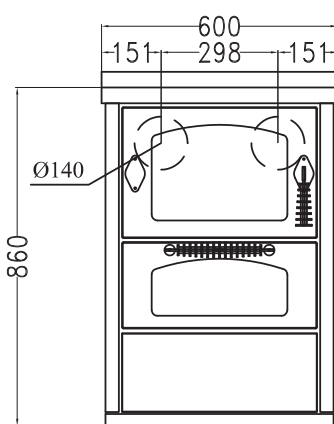
- above flue right or left \varnothing 130 mm
- right or left reversible fire door
- oven mm. 340x470xh150
- oven light and thermometer
- cast-iron hotplate mm 450x480 with maxi cooking ring set \varnothing 320 mm
- black doors
- s. steel handles D3
- s.steel frame mm 40 (total height 860 mm)
- s.steel base h. 30 mm

BY REQUEST

- s.steel doors
- s.steel handles D1
- rear or side flue exit, right or left \varnothing 140 mm
- glass-ceramic hotplate (rear flue exit)
- plan variation
- external flue air

OPTIONALS:

- frontal handrail, s.steel or brass, 2 or 3 sides
- heavy-duty radiant hotplate
- stainless steel hotplate cover

**DATA SHEET**

Nominal heat output: 7,5 kw	Efficiency: 75,5 %
Mean content of CO to 13% O ² : 0.12 %	External flue air: by request
Hearth dimensions (LxPxH): 38x25x25 cm	Fill opening (LxH): 35x20 cm
Mean flue gas temperature: 262 °C	Flue gas mass flow: 8.5 g/s
Flue depression: 0.12 mbar	Net weight/packaging included: 180/195 kg