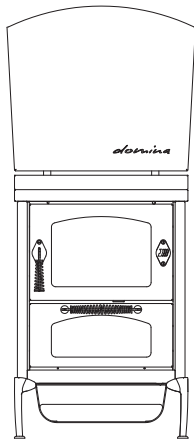
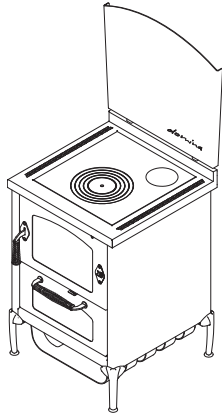


DOMINA**WOOD-FIRED COOKERS "DOMINO"**

mm 600x600xh860

CE EN -12815 certification



Varnishing colors available:

Blackl

STANDARD EQUIPMENT

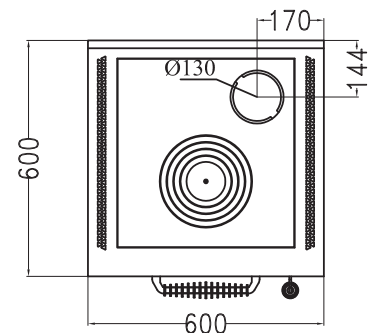
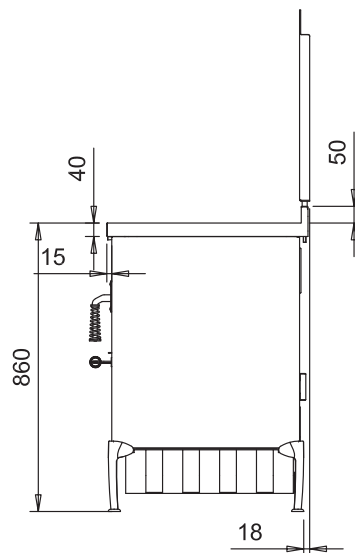
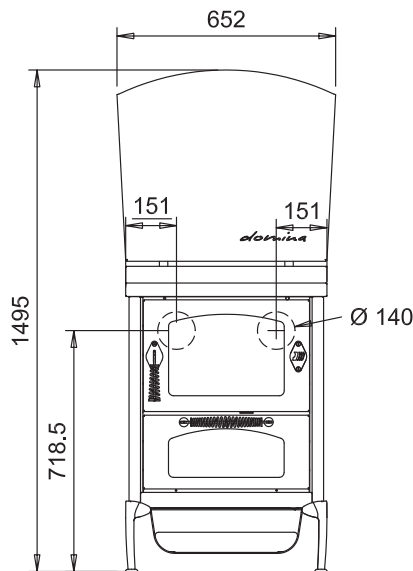
- above flue right or left \varnothing 130 mm
- right or left reversible fire door
- oven mm. 340x470xh150
- oven light and thermometer
- cast-iron hotplate mm 450x480 with maxi cooking ring set \varnothing 320 mm
- s. steel backguard
- black doors
- s. steel handles D3
- s. steel frame mm 40 (total height 860 mm)

BY REQUEST

- s. steel doors
- s. steel handles D1
- rear or side flue exit, right or left \varnothing 140 mm
- glass-ceramic hotplate (rear flue exit)
- plan variation

OPTIONALS:

- frontal handrail, s. steel or brass, 2 or 3 sides
- heavy-duty radiant hotplate
- stainless steel hotplate cover

**DATA SHEET**

Nominal heat output: 7,5 kw

Efficiency: 75,5 %

Mean content of CO to 13% O₂: 0.12 %

External flue air: not available

Hearth dimensions (LxPxH): 38x25x25 cm

Fill opening (LxH): 35x20 cm

Mean flue gas temperature: 262 °C

Flue gas mass flow: 8.5 g/s

Flue depression: 0.12 mbar

Net weight/packaging included: 180/195 kg